



CABINETS

# SC SERIES

**NUCOR<sup>®</sup>**

---

**DATA SYSTEMS**

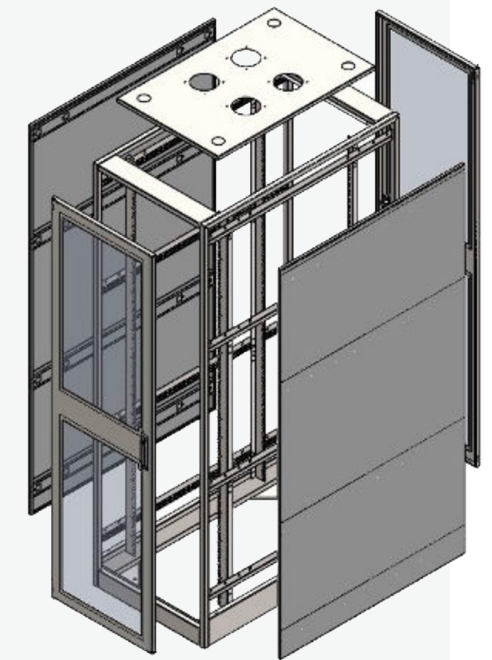
CABINETS

**SC SERIES**

- 3** Pre-Configured Cabinets
- 4** Frames & Mounting Rails
- 5** Doors
- 6** Side Panels
- 7** Cabinet Tops & Bottoms
- 8** Shelves
- 9** Vertical Cable Managers & Lacing Bars
- 10** Casters, Buss Bar, & Power Strips
- 11** Couplers, Fans, & Mounting Brackets

V3 & V4 CABINET FEATURES

- Available in two widths, four heights, and five depths
- All welded 14 gauge steel tubing construction provides a 2000 lb. static load rating
- Seismic Zone 4 rated, UL listed
- 19" wide rack mount
- Mounting rails (2pr. included) are cage nut style, punched on EIA5/8-5/8-1/2" standard spacing and are fully adjustable front to rear. All are provided with M6 Cage Nuts and screws (bag of 50 each).
- Flush mounted removable side panels secured from inside of cabinet provide optimal security
- Lockable flush mount removable doors with Perforated or Plexiglas inserts are field reversible without tools
- Flush mount fan top allows for up to (4) 110 CFM fans to be placed in cabinet top for maximum cooling
- Open base for raised floor ventilation option
- Bottom corners gusseted with both seismic tie down and caster mount features
- Four point leveling
- Choice of colors: Color Code = "x" Black (BLK) or IBM White (W)



| V3 PEF DOORS | OUTSIDE DIMENSIONS | RMU | USABLE DEPTH | V4 PLEX & PERF DOORS |
|--------------|--------------------|-----|--------------|----------------------|
| SC48X24-V3x  | 24"W x 24"D x 48"H | 23U | 22"          | SC48X24-V4x          |
| SC48X30-V3x  | 24"W x 30"D x 48"H | 23U | 28"          | SC48X30-V4x          |
| SC48X36-V3x  | 24"W x 36"D x 48"H | 23U | 34"          | SC48X36-V4x          |
| SC48X42-V3x  | 24"W x 42"D x 48"H | 23U | 40"          | SC48X42-V4x          |
| SC48X48-V3x  | 24"W x 48"D x 48"H | 23U | 46"          | SC48X48-V4x          |
| SC72X24-V3x  | 24"W x 24"D x 72"H | 37U | 22"          | SC72X24-V4x          |
| SC72X30-V3x  | 24"W x 30"D x 72"H | 37U | 28"          | SC72X30-V4x          |
| SC72X36-V3x  | 24"W x 36"D x 72"H | 37U | 34"          | SC72X36-V4x          |
| SC72X42-V3x  | 24"W x 42"D x 72"H | 37U | 40"          | SC72X42-V4x          |
| SC72X48-V3x  | 24"W x 48"D x 72"H | 37U | 46"          | SC72X48-V4x          |
| SC78X24-V3x  | 24"W x 24"D x 78"H | 42U | 22"          | SC78X24-V4x          |
| SC78X30-V3x  | 24"W x 30"D x 78"H | 42U | 28"          | SC78X30-V4x          |
| SC78X36-V3x  | 24"W x 36"D x 78"H | 42U | 34"          | SC78X36-V4x          |
| SC78X42-V3x  | 24"W x 42"D x 78"H | 42U | 40"          | SC78X42-V4x          |
| SC78X48-V3x  | 24"W x 48"D x 78"H | 42U | 46"          | SC78X48-V4x          |
| SC84X24-V3x  | 24"W x 24"D x 84"H | 44U | 22"          | SC84X24-V4x          |
| SC84X30-V3x  | 24"W x 30"D x 84"H | 44U | 28"          | SC84X30-V4x          |
| SC84X36-V3x  | 24"W x 36"D x 84"H | 44U | 34"          | SC84X36-V4x          |
| SC84X42-V3x  | 24"W x 42"D x 84"H | 44U | 40"          | SC84X42-V4x          |
| SC84X48-V3x  | 24"W x 48"D x 84"H | 44U | 46"          | SC84X48-V4x          |

**V3 INCLUDES**

- (1) Frame
- (2pr) Cage Nut Rails
- (2) Solid Side Panels
- (1) Top w/Fan Holes
- (2) Perforated Doors

**V4 INCLUDES**

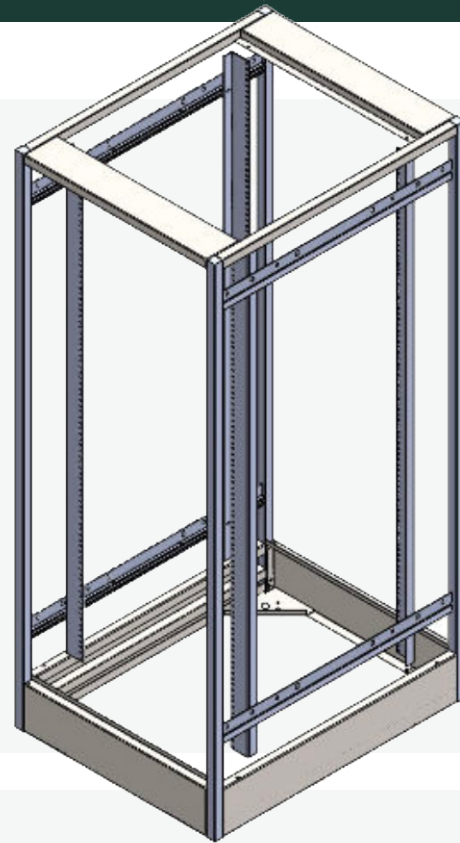
- (1) Frame
- (2pr) Cage Nut Rails
- (2) Solid Side Panels
- (1) Top w/Fan Holes
- (1) Plexiglas Door
- (2) Perforated Doors

# COMPONENTS

## FRAMES

- 19" and 23" wide rack mount
- Available in 4 heights and 5 depths
- All welded 14 gauge steel tubing provides a 2000 lb. static load rating
- Bottom corner gussets for caster mounts or seismic tie down points
- Frames are Seismic Zone 4 rated, UL Listed
- Choice of colors: Color Code= "x" Black (BLK) or IBM White (W)

SC SERIES FRAME



## MOUNTING RAILS

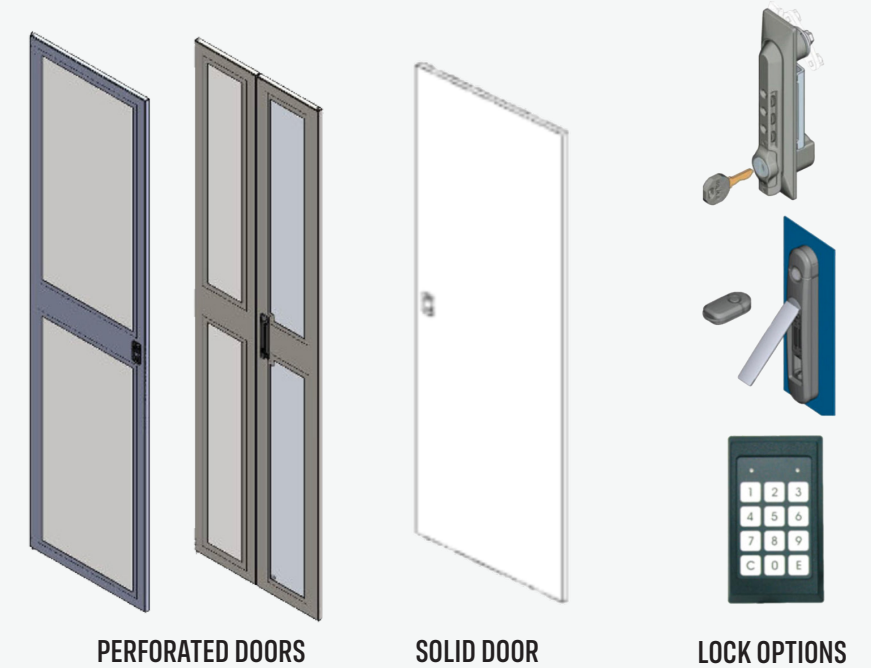
- 12 gauge steel mounting rails available in Cage Nut (standard) or tapped versions
  - Cage Nut—Holes punched to accept Cage Nuts on EIA standard spacing
  - Tapped—Holes tapped #10-32 on EIA standard spacing
- 4" wide rails convert 28" wide frame to 19" rack mount (add "-4" to part number e.g. SWE730-CN-4)
- Sold separately in pairs—includes appropriate mounting hardware when ordered with cabinet frame

| HEIGHT     | 24" DEEP      | 30" DEEP      | 36" DEEP      | 42" DEEP      | 48" DEEP      | MOUNTING RAILS                              |
|------------|---------------|---------------|---------------|---------------|---------------|---|
| 48"H (23U) | FR-A48X24X24x | FR-A48X24X30x | FR-A48X24X36x | FR-A48X24X42x | FR-A48X24X48x | Use SWE740-CN (Cage Nut) OR SWE740 (Tapped) |
|            | FR-A48X28X24x | FR-A48X28X30x | FR-A48X28X36x | FR-A48X28X42x | FR-A48X28X48x | Use SWE740-CN (Cage Nut) OR SWE740 (Tapped) |
| 72"H (37U) | FR-A72X24X24x | FR-A72X24X30x | FR-A72X24X36x | FR-A72X24X42x | FR-A72X24X48x | Use SWE700-CN (Cage Nut) OR SWE700 (Tapped) |
|            | FR-A72X28X24x | FR-A72X28X30x | FR-A72X28X36x | FR-A72X28X42x | FR-A72X28X48x | Use SWE700-CN (Cage Nut) OR SWE040 (Tapped) |
| 78"H (42U) | FR-A78X24X24x | FR-A78X24X30x | FR-A78X24X36x | FR-A78X24X42x | FR-A78X24X48x | Use MR73.5-CN (Cage Nut) OR MR73.5 (Tapped) |
|            | FR-A78X28X24x | FR-A78X28X30x | FR-A78X28X36x | FR-A78X28X42x | FR-A78X28X48x | Use MR73.5-CN (Cage Nut) OR MR73.5 (Tapped) |
| 84"H (44U) | FR-A84X24X24x | FR-A84X24X30x | FR-A84X24X36x | FR-A84X24X42x | FR-A84X24X48x | Use SWE730-CN (Cage Nut) OR SWE730 (Tapped) |
|            | FR-A84X28X24x | FR-A84X28X30x | FR-A84X28X36x | FR-A84X28X42x | FR-A84X28X48x | Use SWE730-CN (Cage Nut) OR WE730 (Tapped)  |

# COMPONENTS

## DOOR FEATURES

- Flush mount doors are field reversible without tools, right to left hand swing
- Carbon steel all welded construction for strength
- Flush mounted lift and turn locking latches
- Optional Electronic Locks, Proximity Locks and Combo Lock available
- Optional Perforated, Split, Plexiglas, Vented or Solid versions
- Choice of colors: Color Code= "-x" Black (BLK) or IBM White (W)

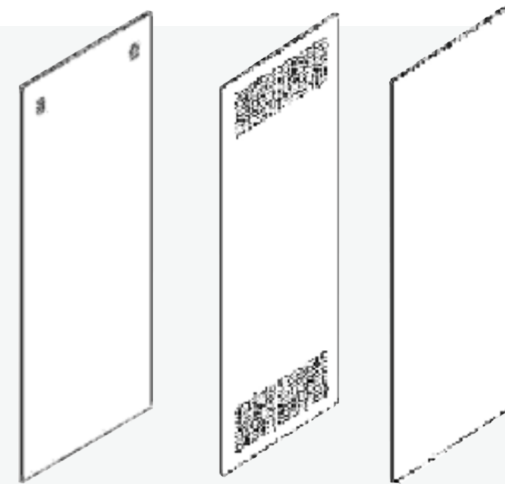


| DOOR STYLE       | 48"H FRAME    | 72"H FRAME    | 78"H FRAME    | 84"H FRAME    | WIDTH |
|------------------|---------------|---------------|---------------|---------------|-------|
| PERFORATED       | DPRF-A42X22x  | DPRF-A66X22x  | DPRF-A72X22x  | DPRF-A78X22x  | 24"   |
|                  | DPRF-A42X26x  | DPRF-A66X26x  | DPRF-A72X26x  | DPRF-A78X26x  | 28"   |
| SPLIT PERFORATED | DPRF-A42X22x  | DPRF-A66X22x  | DPRF-A72X22x  | DPRF-A78X22x  | 24"   |
|                  | DPRF-A42X26x  | DPRF-A66X26x  | DPRF-A72X26x  | DPRF-A78X26x  | 28"   |
| PLEXIGLAS        | DPLX-A42X22x  | DPLX-A66X22x  | DPLX-A72X22x  | DPLX-A78X22x  | 24"   |
|                  | DPLX-A42X26x  | DPLX-A66X26x  | DPLX-A72X26x  | DPLX-A78X26x  | 28"   |
| SOLID            | DSTL-A42X22x  | DSTL-A66X22x  | DSTL-A72X22x  | DSTL-A78X22x  | 24"   |
|                  | DSTL-A42X26x  | DSTL-A66X26x  | DSTL-A72X26x  | DSTL-A78X26x  | 28"   |
| VENTED           | DSTLV-A42X22x | DSTLV-A66X22x | DSTLV-A72X22x | DSTLV-A78X22x | 24"   |
|                  | DSTLV-A42X26x | DSTLV-A66X26x | DSTLV-A72X26x | DSTLV-A78X26x | 28"   |

# COMPONENTS

## SIDE PANELS

- Flush mount side panels secured from inside for optimum security
- Constructed from carbon steel
- Optional Quick Release locking latches available
- Optional solid or vented versions
- Choice of colors: Color Code= "x" Black (BLK) or IBM White (W)



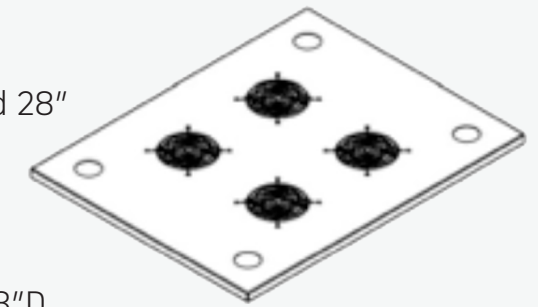
SIDE PANELS

| HEIGHT     | 24"D FRAME | 30"D FRAME | 36"D FRAME | 42"D FRAME | 48"D FRAME |
|------------|------------|------------|------------|------------|------------|
| 48"H (23U) | SP-A42X22x | SP-A42X28x | SP-A42X34x | SP-A42X40x | SP-A42X46x |
| 72"H (37U) | SP-662X22x | SP-662X28x | SP-662X34x | SP-662X40x | SP-662X46x |
| 78"H (42U) | SP-A72X22x | SP-A72X28x | SP-A72X34x | SP-A72X40x | SP-A72X46x |
| 84"H (44U) | SP-A78X22x | SP-A78X28x | SP-A78X34x | SP-A78X40x | SP-A78X46x |

# COMPONENTS

## CABINET TOPS

- Flush mount tops available in 3 styles for 24" wide and 28" wide frames:
  - Top with Fan Holes
  - Solid
  - Perforated
- Fan tops have (4) fan holes for 30"D, 36"D, 42"D and 48"D frames
- Fan tops for 24"D cabinets have (2) fan holes
- Fan holes have easily removable covers when fans not required
- Solid and Fan Tops have cable entry knock outs in each corner

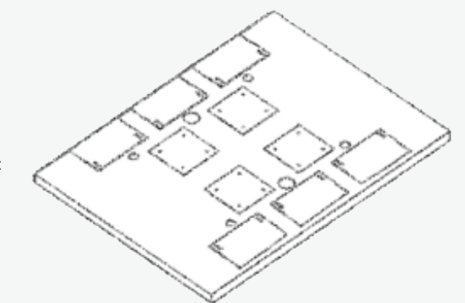


FLUSH MOUNT FAN TOP

| HEIGHT         | 24" DEEP        | 30" DEEP        | 36" DEEP        | 42" DEEP        | 48" DEEP        |
|----------------|-----------------|-----------------|-----------------|-----------------|-----------------|
| Fan Top        | FMT-A22X16-FHx  | FMT-A22X22-FHx  | FMT-A22X28-FHx  | FMT-A22X34-FHx  | FMT-A22X40-FHx  |
|                | FMT-A26X16-FHx  | FMT-A26X22-FHx  | FMT-A26X28-FHx  | FMT-A26X34-FHx  | FMT-A26X40-FHx  |
| Solid Top      | FMT-A22X16x     | FMT-A22X22x     | FMT-A22X28x     | FMT-A22X34x     | FMT-A22X40x     |
|                | FMT-A26X16x     | FMT-A26X22x     | FMT-A26X28x     | FMT-A26X34x     | FMT-A26X40x     |
| Perforated Top | FMT-A22X16-PRFx | FMT-A22X22-PRFx | FMT-A22X28-PRFx | FMT-A22X34-PRFx | FMT-A22X40-PRFx |
|                | FMT-A26X16-PRFx | FMT-A26X22-PRFx | FMT-A26X28-PRFx | FMT-A26X34-PRFx | FMT-A26X40-PRFx |

## CABINET BOTTOMS

- Available for 24"W and 28"W cabinets in 5 depths
- 24"D versions have (2) covered fan holes, deeper versions have (4) covered fan holes (part # 19155K23 if filter is required for fan hole)
- Includes cable entry holes with covers



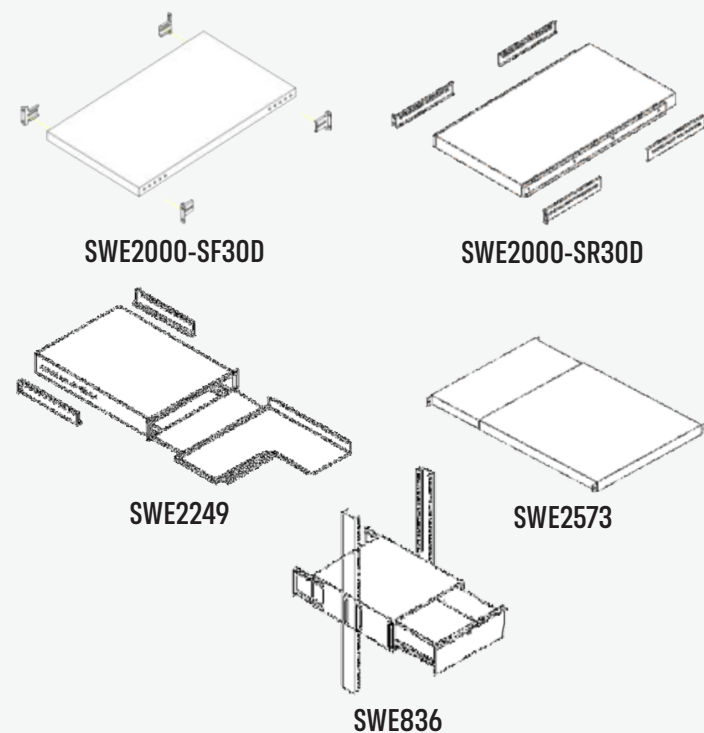
FLUSH MOUNT BOTTOM

| WIDTH | 24" DEEP       | 30" DEEP       | 36" DEEP       | 42" DEEP       | 48" DEEP       |
|-------|----------------|----------------|----------------|----------------|----------------|
| 24"   | FMB-A24X24-FHx | FMB-A24X30-FHx | FMB-A24X36-FHx | FMB-A24X42-FHx | FMB-A24X48-FHx |
| 28"   | FMB-A28X24-FHx | FMB-A28X30-FHx | FMB-A28X36-FHx | FMB-A28X42-FHx | FMB-A28X48-FHx |

# ACCESSORIES

## SHELVES

- 19" wide rack mount units
- Formed carbon steel construction for stiffness and strength
- Allows cable access in rear when used with appropriate frame
- 17" wide, mounting brackets use 1 RMU of space
- 150 lb. weight capacity
- Roll-Out shelves use full ball bearing slides for full extension
- Vented versions available
- Choice of colors: Color Code= "x" Black (BLK) or IBM White (W)



| SHELF STYLE                          | 18" DEEP                       | 24" DEEP                         | 30" DEEP                         | 36" DEEP                 |
|--------------------------------------|--------------------------------|----------------------------------|----------------------------------|--------------------------|
| FIXED EQUIPMENT SHELF                | SWE2000-SF18Dx                 | SWE2000-SF24Dx                   | SWE2000-SF30Dx                   | SWE2000-SF36Dx           |
|                                      | SWE2000-SFV18Dx (Vented)       | SWE2000-SFV24Dx (Vented)         | SWE2000-SFV30Dx (Vented)         | SWE2000-SFV36Dx (Vented) |
| ROLL-OUT SHELF                       | SWE2000-SR18Dx                 | SWE2000-SR24Dx                   | SWE2000-SR30Dx                   | SWE2000-SR36Dx           |
|                                      | SWE2000-SRV18Dx (Vented)       | SWE2000-SRV24Dx (Vented)         | SWE2000-SRV30Dx (Vented)         | SWE2000-SRV36Dx (Vented) |
| MONITOR SHELF & ARTICULATING KB TRAY |                                | SWE2249x                         |                                  |                          |
| ADJUSTABLE SHELF (20" TO 32")        |                                | SWE2573x<br>100 lb. wt. capacity | SWE2573x<br>100 lb. wt. capacity |                          |
|                                      |                                | SWE2573-Vx (Vented)              | SWE2573-Vx (Vented)              |                          |
| LOCKABLE DRAWER (20" DEEP)           | SWE836x<br>75 lb. wt. capacity | SWE836x<br>75 lb. wt. capacity   |                                  |                          |

# ACCESSORIES

## VERTICAL CABLE MANAGERS

- Mounts to any NDS cabinet frame in same track as mounting rails
- Provides a convenient cable run vertically
- Can be mounted on either side, in front or rear of cabinet
- All steel construction
- Choice of colors: Color Code= "x" Black (BLK) or IBM White (W)

| FRAME HEIGHT | PART #       | DESCRIPTION                             |
|--------------|--------------|---|
| 48"H (23U)   | SWE722x      | Vertical Cable Manager 1.62"W x 40.25"H |
| 72"H (37U)   | SWE720x      | Vertical Cable Manager 1.62"W x 64.75"H |
| 78"H (42U)   | SWE725x      | Vertical Cable Manager 1.62"W x 73.5"H  |
| 84"H (44U)   | SWE21x       | Vertical Cable Manager 1.62"W x 77"H    |
| 84"H (44U)   | SWE721-3x3.5 | Vertical Cable Manager 3"W x 77"H       |

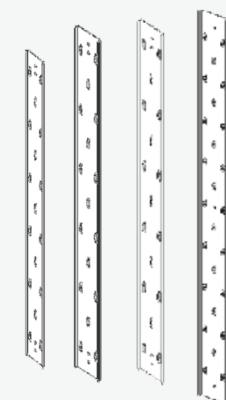


SWE271

## VERTICAL CABLE LACING BAR

- Neatly organizes cable bundles with slots provided for Velcro or other cable straps
- Creates quick cable management solutions for any NDS cabinet series
- Available in 4 heights, 3.5" wide
- Formed 16 gauge steel construction
- Black Powder Coat finish

| PART #    | DESCRIPTION                                       |
|-----------|---|
| SWE751BLK | Vertical Cable Lacing Bar - 3.5"W x 77"H (44U)    |
| SWE752BLK | Vertical Cable Lacing Bar - 3.5"W x 40.25"H (23U) |
| SWE753BLK | Vertical Cable Lacing Bar - 3.5"W x 64.74"H (37U) |
| SWE754BLK | Vertical Cable Lacing Bar - 3.5"W x 73.5"H (42U)  |

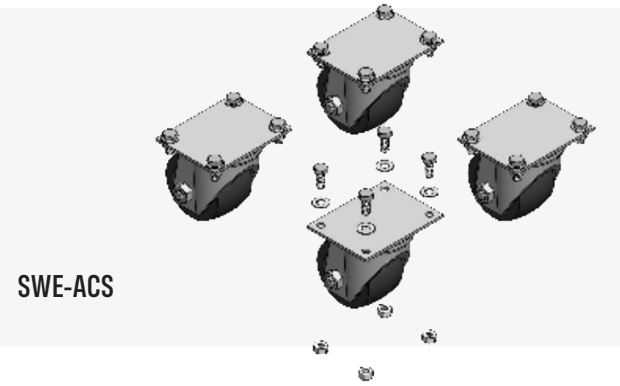


VERTICAL CABLE LACING BAR

# ACCESSORIES

## CASTERS: SWE-ACS

- Heavy duty roller bearing construction rated for 1000 lbs. per set
- Mounts to any SC Series frame



# ACCESSORIES

## FRAME COUPLERS: SC-FC

- Top mount frame couplers install easily to factory pre-drilled frames
- Flat plate 2"Wx18"L enables (2) SC Series frames of the same height and depth to be bayed together
- Enables bayed units to be centered on raised floor tiles (no space between frames)
- Includes installation hardware
- Black (BLK) powder coat finish



SC-FC

## VERTICAL COPPER BUSS BAR: SWE2161

| PART #     | DESCRIPTION  |
|------------|--|
| SWE2161-39 | Vertical Copper Buss Bar with 4 lugs, 48" or taller cabs |
| SWE2161-72 | Vertical Copper Buss Bar with 8 lugs, 78" or taller cabs |



## POWER STRIPS

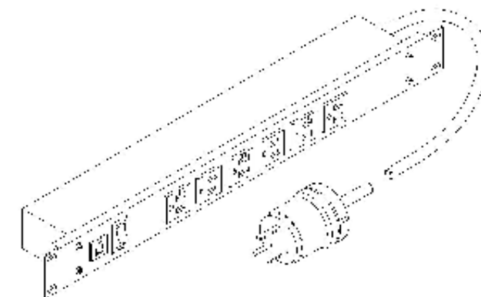
- Breaker protected, UL Listed
- Metal construction for durability

| 15 AMP        | DESCRIPTION  |
|---------------|--|
| SWE705-10TL   | (10) 15 AMP outlets, 48"L, 15' cord, Twist Lock Plug |
| SWE705-16     | (16) outlets, 48"L, 15' cord                         |
| SWE705-24-15A | (24) outlets, 70"L, 15' cord                         |
| SWE705-8      | (8) outlets, 44"L, 15' cord                          |
| SWE705-RM     | Rack Mount, (8) outlet, 15' cord                     |

| 20 AMP          | DESCRIPTION   |
|-----------------|---|
| SWE705-10-15TL  | (10) outlets, 15" cord, L5P20 Twist Lock Plug, 48"L |
| SWE705-10-20A   | (14) outlets, 15' cord, 20A plug, 48"L              |
| SWE705-10-20ATL | (14) outlets, 15' cord, L5P20 Twist Lock Plug, 48"L |
| SWE705-24-20A   | (24) outlets, 15' cord, 20A plug, 70"L              |
| SWE705-24-20ATL | (24) outlets, 15' cord, L5P20 Twist Lock plug, 70"L |
| SWE705-20R-RM   | Rack Mount, (8) outlet, 15 ft. cord                 |

VERTICAL MOUNT POWER STRIP

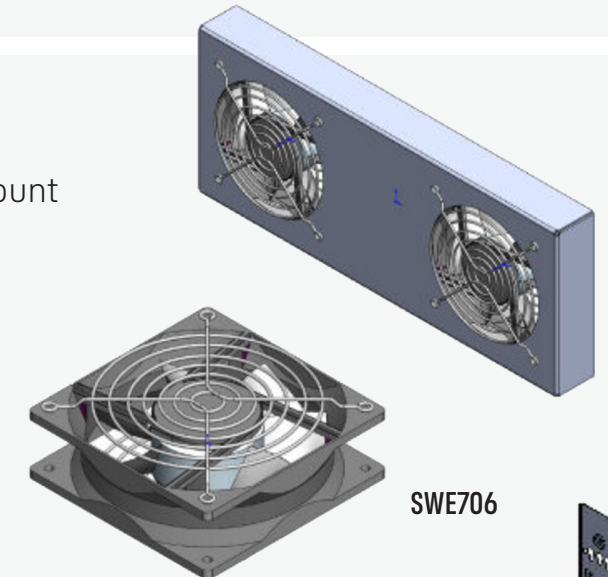


RACK MOUNT POWER STRIP

## FANS: SWE706 SERIES

- Can be mounted in any NDS fan top or wall mount cabinet with fan holes
- Sealed bearings
- (2) finger guards included

| PART #       | DESCRIPTION                         |
|--------------|-------------------------------------|
| SWE706       | 110 CFM Axial Fan with 6' cord 115V |
| SWE706-53CFM | 53 CFM Axial Fan with 6' cord, 115V |



SWE706

## PDU VERTICAL MOUNTING BRACKET

- Available in 3 heights
- Full length bracket attaches to cabinet frame to provide options for mounting vertical power distribution units
- Provides tie points for power cords
- Black Powder Coat finish

| PART #       | DESCRIPTION                          |
|--------------|--------------------------------------|
| SC-PDUBK-45U | PDU Vertical Mountain Bracket 77"    |
| SC-PDUBK-42U | PDU Vertical Mounting Bracket 73.5"  |
| SC-PDUBK-37U | PDU Vertical Mounting Bracket 64.75" |

PDU MOUNTING BRACKETS





**NUCOR<sup>®</sup>**  
**DATA SYSTEMS**

TEL: 909-796-6200

FAX: 909-796-6223

[sales@nucordatasystems.com](mailto:sales@nucordatasystems.com)

1385 S Tippencanoe Ave., San Bernardino, CA 92408

**NUCORDATASYSTEMS.COM**