



WALL UNITS

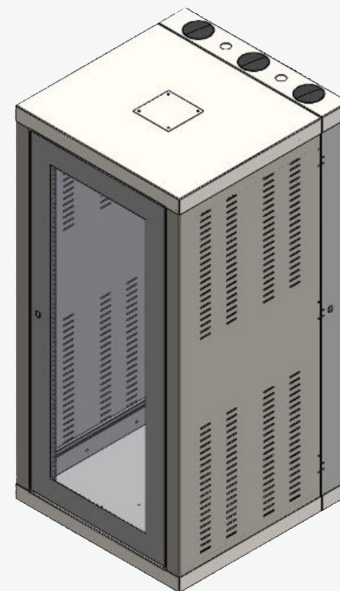
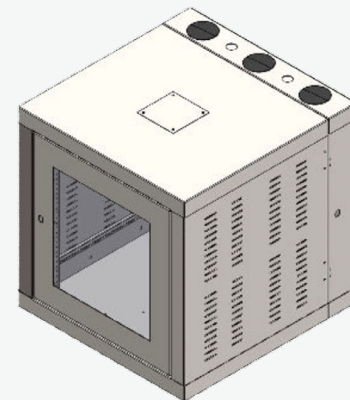
4000 SERIES

NUCOR[®]
DATA SYSTEMS

4000 SERIES WALL UNITS

ZONE CONSOLIDATION WALL CABINETS

- 19" wide rack mounting unit
- Available in 3 heights and 3 depths
- Plexiglas front door (standard) is field reversible from left or right-hand swing
- Locks installed in front door and rear section (keyed differently)
- Constructed from carbon steel
- Mounting rails (1pr.) are zinc plated 14 gauge steel, tapped #10-32 on EIA standard spacing and are fully adjustable front to rear
- Dual swing unit provides access to rear of equipment
- Lift off style rear hinge to allow separation of rear section for easy installation
- Rear section is field reversible from left to right hand swing with optional Opposite Swing Hinge kit (SWE4510-A)
- Three 3" cable entry holes and two 1-1/8" knockouts on both top and bottom of rear section
- Ventilated sides of center section for maximum cooling
- Covered Fan Hole in top and bottom of center section for future addition of fan
- Choice of colors: Color Code= "x" Black (BLK) or IBM White (W)



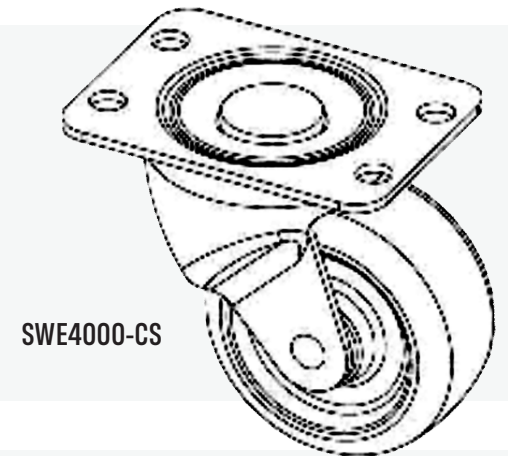
PART NUMBER	DIMENSIONS	USABLE DEPTH	WEIGHT CAPACITY
SWE4000-12USx	23"W X 12"D X 24"H	10.5"	100 lbs.
SWE4000-12UDx	23"W X 24"D X 24"H	22.5"	100 lbs.
SWE4000-12UEx	23"W X 30"D X 24"H	28.5"	100 lbs.
SWE4000-18USx	23"W X 12"D X 36"H	10.5"	125 lbs.
SWE4000-18UDx	23"W X 24"D X 36"H	22.5"	125 lbs.
SWE4000-18UEx	23"W X 30"D X 36"H	28.5"	125 lbs.
SWE4000-26USx	23"W X 12"D X 48"H	10.5"	150 lbs.
SWE4000-26UDx	23"W X 24"D X 48"H	22.5"	150 lbs.
SWE4000-26UEx	23"W X 30"D X 48"H	28.5"	150 lbs.
SWE4000-37USx	23"W X 12"D X 72"H	10.5"	150 lbs.
SWE4000-37UDx	23"W X 24"D X 72"H	22.5"	150 lbs.
SWE4000-37UEx	23"W X 30"D X 72"H	28.5"	150 lbs.

OPPOSITE SWING HINGE KIT: SWE4510-A

- Includes (3) hinges to convert rear mounting pan from left hand swing to right hand swing
- Easily installed in factory pre-drilled holes

CASTERS: SWE4000-CS

- Provides additional support for 37U wall cabinet (72"H)
- Increases weight capacity from 150 lbs. to 600 lbs.
- Set of (2) casters install on bottom of center section—includes hardware



MOUNTING RAILS

- SWE4000 Series includes (1) pr. adjustable mounting rails
- 2nd pr. of mounting rails can be easily installed

CABINET HEIGHT	MOUNTING RAIL NUMBER
SWE4000-12U - 24"H	MR22.75
SWE4000-18U - 36"H	MR35
SWE4000-26U - 48"H	MR47.25
SWE4000-37U - 72"H	SWE700



NUCOR[®]
DATA SYSTEMS

TEL: 909-796-6200

FAX: 909-796-6223

sales@nucordatasystems.com

1385 S Tippencanoe Ave., San Bernardino, CA 92408

NUCORDATASYSTEMS.COM