



CABINETS

COLO SERIES

NUCOR[®]

DATA SYSTEMS

CABINETS COLO SERIES

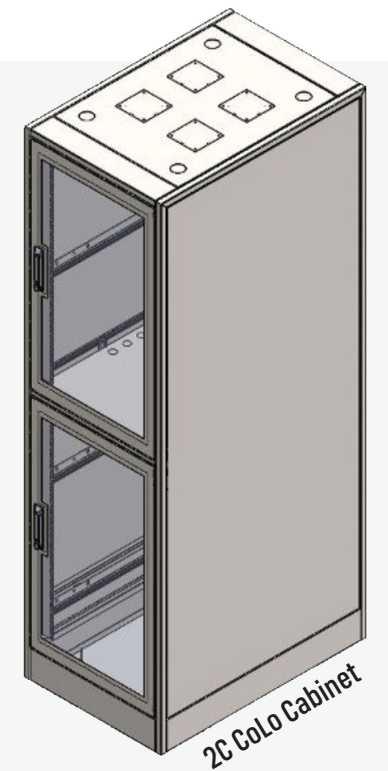
- 3** Cabinets & Frames
- 4** Rails & Panels
- 5** Doors
- 6** Cabinet Tops & Dividers
- 7** Power Strips & Fans
- 8** Shelves & Frame Couplers

CoLo SERIES

CABINETS & FRAMES

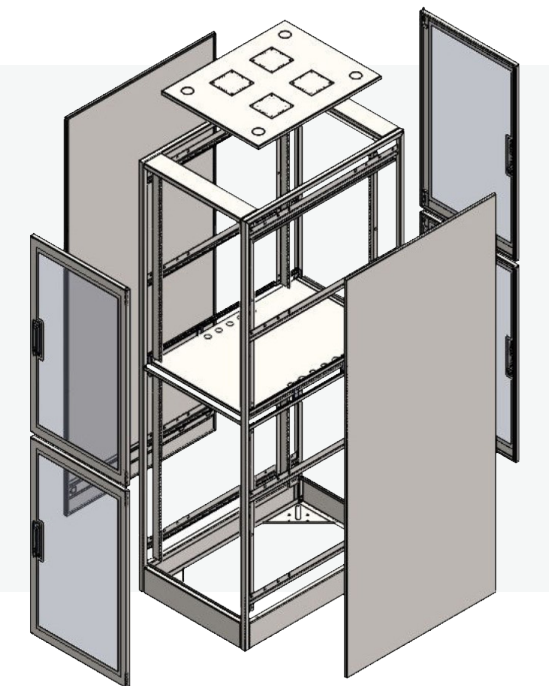
CABINETS

- 19" or 23" wide rack mount
- Wider frames (28") easily converted to 19" wide rack mount
- Available in 1, 2, 3 and 4 compartment versions
- 84" high cabinets are available in 2 widths and 2 depths
- All welded 16 gauge steel tubing construction
- Cabinet compartments are interchangeable in the field
- Doors are flush mount, field reversible—available with Perforated or Plexiglas inserts. Solid steel doors are also available with fan holes
- Front and Rear doors to each compartment are keyed alike—each compartment is keyed differently
- Flush mount fan top shave (4) fan holes and (4) cable entry knock outs on each side
- Standard Mounting Rails are Cage Nut style punched on EIA standard spacing. Tapped (#10-32) rails also available
- Compartment dividers are vented to allow air circulation
- Flush mount side panels secured from the inside to provide optimal security
- Total weight capacity 1000lbs. evenly distributed
- Choice of colors: Color Code= "x" Black (BLK) or IBM White (W)



FRAMES

PART NUMBER	OUTSIDE DIMENSIONS	USABLE DEPTH
FR-CL84X24X36x	24"W x 36"D x 84"H	34"
FR-CL84X24X42x	24"W x 42"D x 84"H	40"
FR-CL84X28X36x	28"W x 36"D x 84"H	34"
FR-CL84X28X42x	28"W x 42"D x 84"H	40"

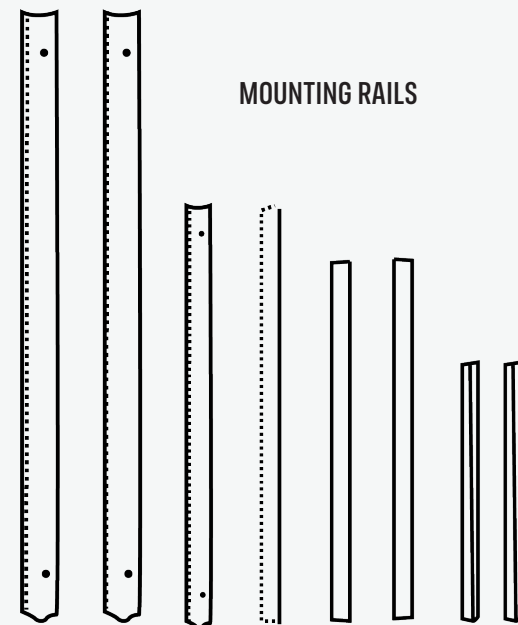


COMPONENTS

MOUNTING RAILS

- Cage Nut style punched on EIA standard spacing
- Tapped rails have #10-32 holes on standard EIA spacing
- Heavy Duty 12 GA steel construction
- Sold in pairs

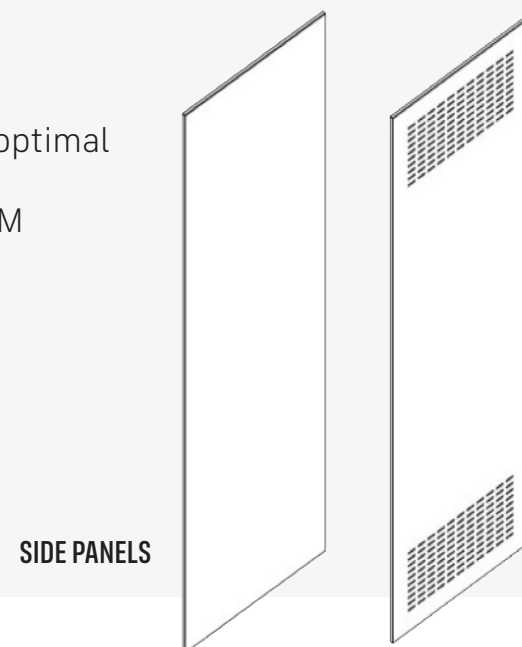
CAGE NUT	TAPPED	RMU	#COMPARTMENTS
SWE730-CN	SWE730	44U	1C
MR38.5-CN	MR38.5	22U	2C
MR24.5-CN	MR24.5	14U	3C
MR17.5-CN	MR17.5	10U	4C



SIDE PANELS

- Solid or vented versions available
- Flush mount secured from the inside of frame for optimal security
- Choice of colors: Color Code= "x" Black (BLK) or IBM White (W)

SOLID	VENTED	FRAME DEPTH
SP-A78x34x	SPV-A78x34x	36"
SP-A7x40x	SPV-A78x40x	42"



COMPONENTS

DOOR FEATURES

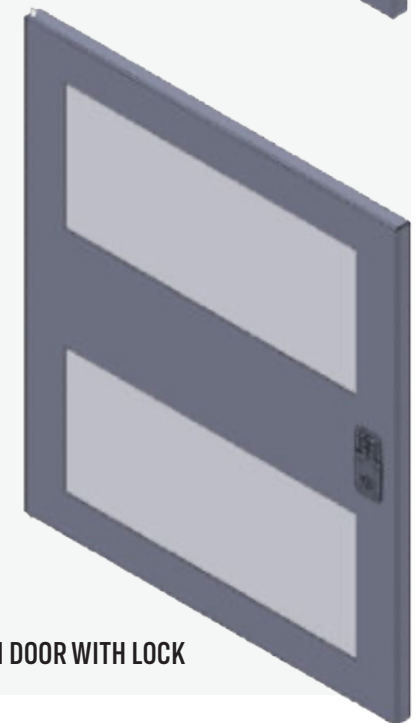
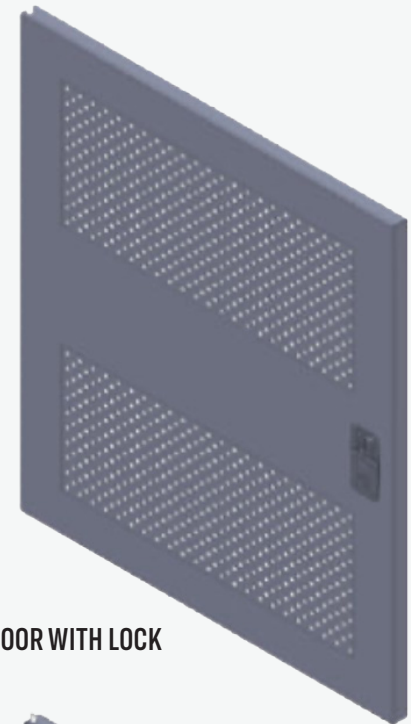
- Styles available: Plexiglas, Perforated, Solid and Solid with Fan Holes
- Lift and turn locking latches included (each compartment keyed differently)
- Combo locks available
- Flush Mount, field reversible without tools

24" WIDE FRAME

	PLEXIGLAS	PERFORATED	SOLID	SOLID W/FAN HOLES
1C	DPLX-A78X22x	DPRF-A78X22x	DSTL-A78X22x	DSTL-A78X22-FHx
2C	DPLX-CL38X22x	DPRF-CL38X22x	DSTL-CL38X22x	DSTL-CL38X22-FHx
3C	DPLX-CL24X22x	DPRF-CL24X22x	DSTL-CL24X22x	DSTL-CL24X22-FHx
4C	DPLX-CL17X22x	DPRF-CL17X22x	DSTL-CL17X22x	DSTL-CL17X22-FHx

28" WIDE FRAME

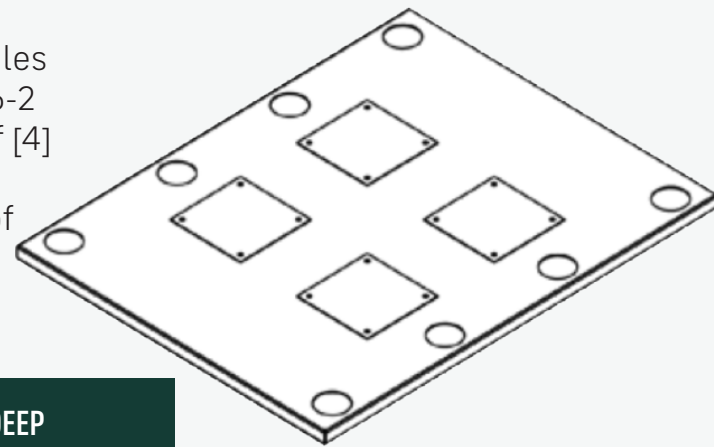
	PLEXIGLAS	PERFORATED	SOLID	SOLID W/FAN HOLES
1C	DPLX-A78X26x	DPRF-A78X26x	DSTL-A78X26x	DSTL-A78X26-FHx
2C	DPLX-CL38X26x	DPRF-CL38X26x	DSTL-CL38X26x	DSTL-CL38X26-FHx
3C	DPLX-CL24X26x	DPRF-CL24X26x	DSTL-CL24X26x	DSTL-CL24X26-FHx
4C	DPLX-CL17X26x	DPRF-CL17X26x	DSTL-CL17X26x	DSTL-CL17X26-FHx



COMPONENTS

CABINET TOPS

- Flush mount tops have (4) covered fan holes for future addition of fans (part # SWE706-2 set of [2] 110CFM fans or SWE706-4 set of [4] fans with one cord)
- (4) cable entry knock-outs on each side of top
- Choice of colors: Color Code = "x" Black (BLK) or IBM White (W)

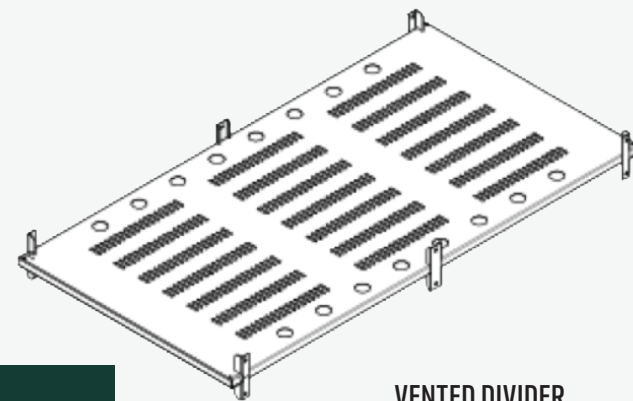


FLUSH MOUNT TOP

FRAME WIDTH	36" DEEP	42" DEEP
24"	FMT-CL22X28-FHx	FMT-CL22X34-FHx
28"	FMT-CL26X28-FHx	FMT-CL26X34-FHx

COMPARTMENT DIVIDERS

- Divider panel easily installed in field to convert existing CoLo cabinets
- Vented divider panel for air circulation—solid panel also available
- (4) cable entry knock-outs on each side of panel
- Choice of colors: Color Code="x" Black (BLK) or IBM White (W)



VENTED DIVIDER PANEL

FRAME WIDTH	36" DEEP	42" DEEP
24"	SC-CL380-Vx (Vented)	SC-CL380-42Vx (Vented)
	SC-CL380x (Solid)	SC-CL380-42x (Solid)
28"	SC-CL380-28Vx (Vented)	SC-CL380-42-28Vx (Vented)
	SC-CL380-28x (Solid)	SC-CL380-42-28x (Solid)

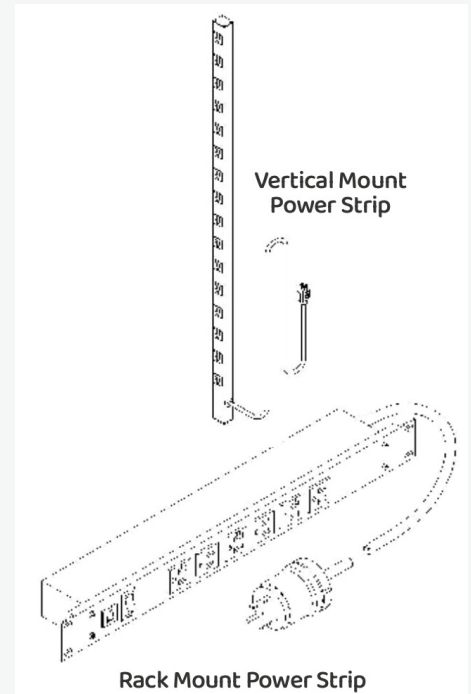
ACCESSORIES

POWER STRIPS

- Breaker protected, UL Listed
- Metal construction for durability

15 AMP	DESCRIPTION
SWE705-10TL	(10) 15 AMP outlets, 48"L, 15' cord, Twist Lock Plug
SWE705-16	(16) outlets, 48"L, 15' cord
SWE705-24-15A	(24) outlets, 48"L, 15' cord
SWE705-8	(8) outlets, 48"L, 15' cord
SWE705-RM	Rack Mount, (8) outlets, 15' cord

20 AMP	DESCRIPTION
SWE705-15TL	(10) outlets, 15' cord, L5P20 Twist Lock Plug, 48"L
SWE705-20A	(14) outlets, 15' cord, 20A plug, 48"L
SWE705-10-20ATL	(14) outlets, 15' cord, L5P20 Twist Lock Plug, 48"L
SWE705-24-20A	(24) outlets, 15' cord, 20A plug, 48"L
SWE705-20R-RM	(24) outlets, 15' cord, L5P20 Twist Lock Plug, 48"L Rack Mount, (8) outlets, 15' cord



FANS

- Can be mounted in any NDS fan top or wall mount cabinet with fan holes
- Sealed bearings
- (2) finger guards included

PART NUMBER	DESCRIPTION
SWE706	110 CFM Axial Fan with 6' cord, 115V
SWE706-53CFM	53 CFM Axial Fan with 6' cord, 115V



CASTERS: SWE-ACS

- Heavy duty rollerbearing construction rated for 1000lbs. per set
- Mounts to any SC Series frame
- Full swivel

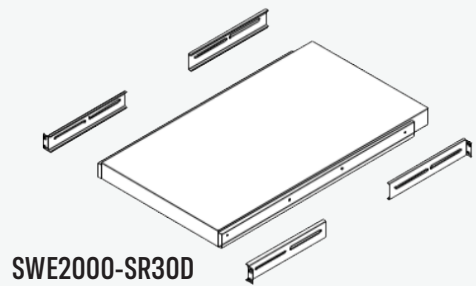
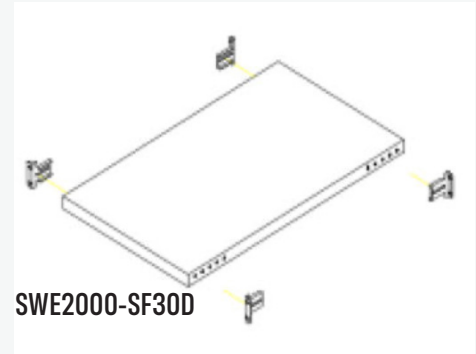


CoLo Series Cabinet

ACCESSORIES

SHELVES

- 19" or 23" wide rack mount units
- Formed carbon steel construction for stiffness and strength
- Allows cable access in rear when used with appropriate frame
- 17" wide, mounting brackets use 1 RMU of space
- 150lb. weight capacity
- Roll-Out shelves use full ball bearing slides for full



FRAME STYLE	36" DEEP	42" DEEP
FIXED SHELF	SWE2000-SF30Dx	SWE2000-SF36Dx
	SWE2000-SFV30D (Vented)	SWE2000-SFV36Dx (Vented)
Roll-Out Shelf	SWE2000-SR30Dx	SWE2000-SR36Dx
	SWE2000-SRV30Dx (Vented)	SWE2000-SRV36Dx (Vented)

FRAME COUPLERS: SC-FC

- Top mount frame couplers install easily to factory pre-drilled frames
- Flat plate 2"W x 18" long enables (2)SC Series frames of the same height and depth to be bayed together
- Enables bayed units to be centered on raised floor tiles (no space between frames)
- Includes installation hardware
- Black (BLK) powder coat finish



SC-FC

NUCOR[®]
DATA SYSTEMS

TEL: 909-796-6200
FAX: 909-796-6223
sales@nucordatasystems.com

1385 S Tippencanoe Ave., San Bernardino, CA 92408

NUCORDATASYSTEMS.COM