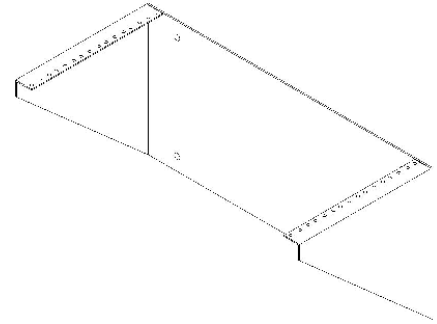


Wall Units - SWE611 Series

Flush Mount Wall Bracket

Features

- 19" wide rack mounting unit
- Formed construction of 14 gauge carbon steel for strength
- Equipment mounting holes tapped #10-32 on EIA standard spacing
- Black (BLK) powder coat finish



Flush Mount Bracket

Part Number	Dimensions	RMU
SWE611BLK	20.6"W X 2.25"D X 2.25"H	1U
SWE612BLK	20.6"W X 4.0"D X 4.0"H	2U
SWE613BLK	20.6"W X 5.75"D X 5.75"H	3U
SWE614BLK	20.6"W X 7.5"D X 7.5"H	4U
SWE615BLK	20.6"W X 9.25"D X 9.25"H	5U
SWE616BLK	20.6"W X 11.0"D X 11.0"H	6U
SWE617BLK	20.6"W X 12.75"D X 12.75"H	7U

Note: 1RMU = 1.75 inches