

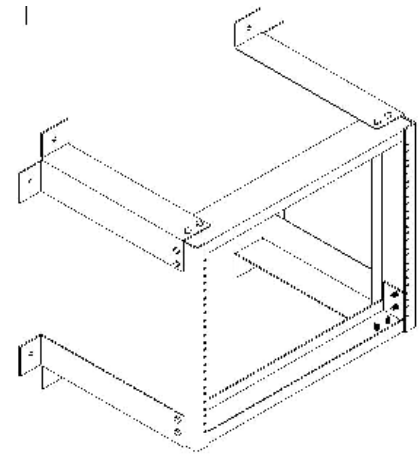
Wall Mounted Equipment Rack

SWE540 Series

Features

- 19" wide rack mounting unit
- Mounting holes tapped #10-32 on EIA standard spacing - front only
- 12 gauge steel construction
- Holds up to 200 lbs. when securely mounted to wall or backboard using all eight leg mounting holes
- Choice of colors: Color Code = "x" Black (BLK) or ASA 61 Gray (G)

Part Number	Height / Depth	RMU	Wt. Capacity
SWE540x	16"H X 6"D	7U	200 lbs.
SWE541x	16"H X 14"D	7U	200 lbs
SWE542x	25"H X 6"D	12U	200 lbs
SWE543x	25"H X 14"D	12U	200 lbs
SWE544x	25"H X 20"D	12U	200 lbs
SWE545x	39"H X 6"D	20U	200 lbs
SWE546x	39"H X 14"D	20U	200 lbs
SWE547x	39"H X 20"D	20U	200 lbs
SWE548x	74"H X 6"D	40U	200 lbs
SWE548-14x	74"H X 14"D	40U	200 lbs
SWE548-20x	74"H X 20"D	40U	200 lbs



SWE543