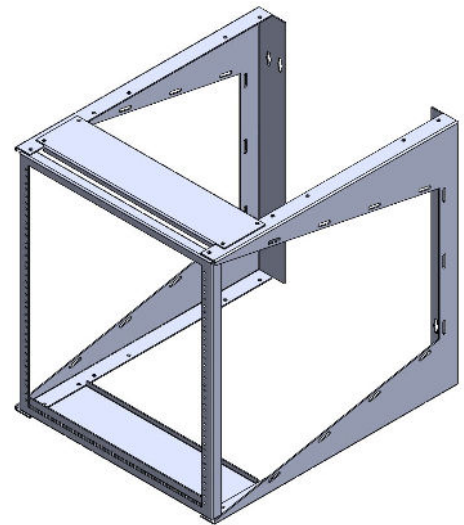


Wall Units Swing Gate Racks

Wall Mounted Swing Rack

Features

- 19" wide rack mounting units
- Front swing gate hinges from either right or left
- Mounting rails tapped #10-32 on EIA standard spacing
- Integrated strain relief tie off points allow for flexible cable management
- 12 gauge steel construction
- Includes assembly hardware and rack screws
- Rear mounting holes provided on 16" centers for standard stud mounting and 18-5/16" center to allow units to be mounted on 19" rack
- Assembles in minutes
- Choice of colors: Color Code = "x" Black (BLK) or ASA 61 Gray (G)



Swing Gate Racks

Part Number	Height / Depth	RMU	Wt. Capacity
SWE2138-8x	22"H X 8"D	11U	100 lbs
SWE2138-12x	22"H X 12"D	11U	100 lbs
SWE2138-18x	22"H X 18"D	11U	100 lbs
SWE2138-25x	22"H X 25"D	11U	100 lbs
SWE2138-25xHD	22"H X 25"D Heavy Duty	11U	150 lbs.
SWE2139-8x	36"H X 8"D	19U	100 lbs.
SWE2139-12x	36"H X 12"D	19U	100 lbs
SWE2139-18x	36"H X 18"D	19U	100 lbs
SWE2139-25x	36"H X 25"D	19U	
SWE2139-25xHD	36"H X 25"D Heavy Duty	19U	150 lbs.
SWE2140-12x	48"H X 12"D	26U	100 lbs
SWE2140-18x	48"H X 18"D	26U	100 lbs
SWE2140-25x	48"H X 25"D	26U	100 lbs
SWE2140-25xHD	48"H x 25"D Heavy Duty	26U	150 lbs